

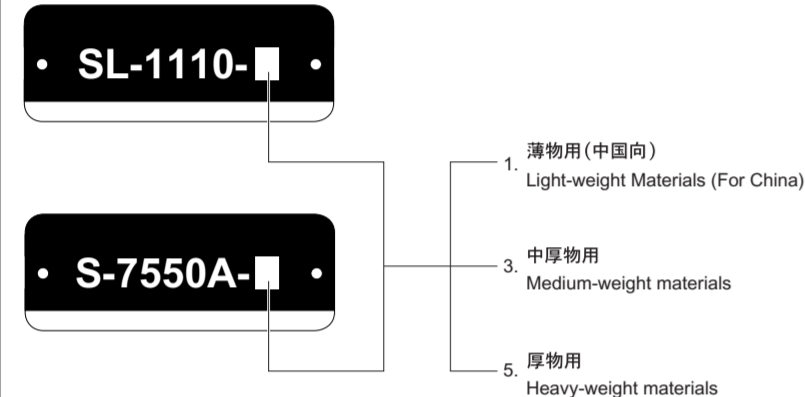
brother

SL-1110 S-7550A

パーツリスト PARTS LIST

1 本針高速本縫ミシン HIGH SPEED SINGLE NEEDLE STRAIGHT LOCK STITCHER

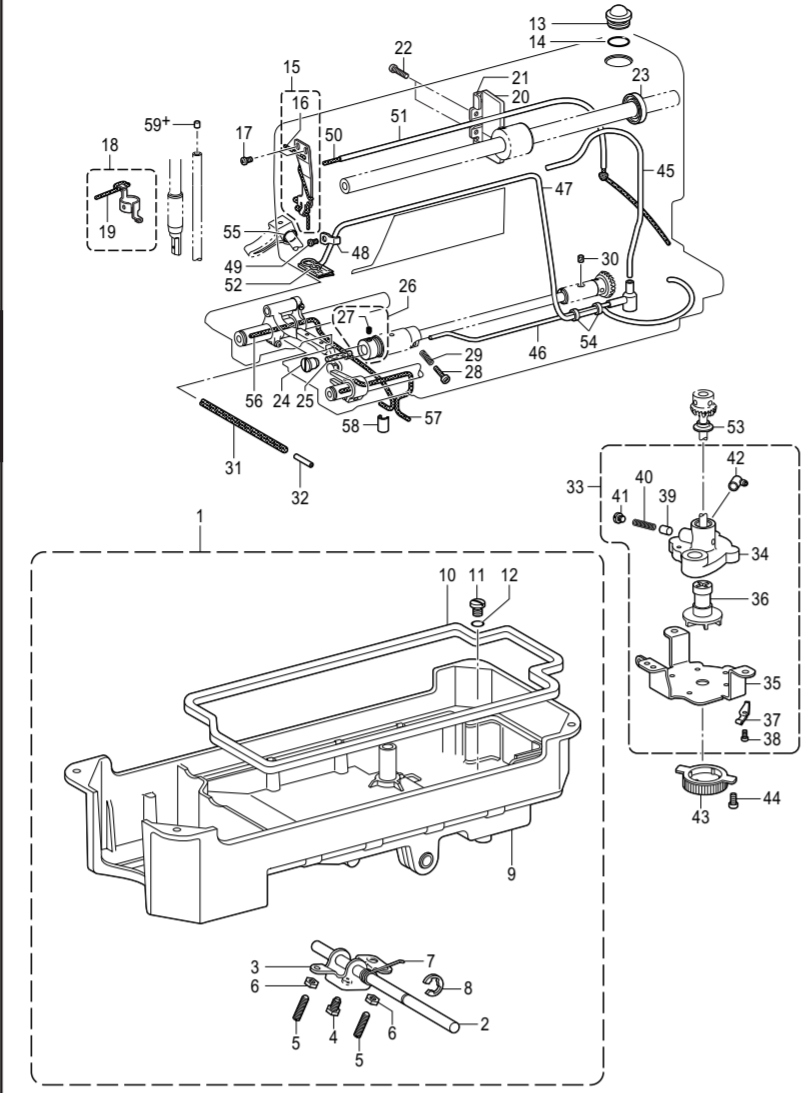
型式板の見方 Description of model plate



- 1. このリストは、2006年09月のデータに基づいて作成されたものです。
2. 部品は予告なしに設計変更される場合があります。
3. 組単位で補給する部品は、破線で示されています。
4. イラスト中の数字の末尾に "+" が付いている場合は、仕様異なりますのでリストを参照ください。
5. リスト中の CODE 欄に "\* Ga." がある場合は、仕様異なりますので、項目 "Ga. ゲージ部品一覧" を参照ください。

- 1. This list was prepared based on information available in September 2006.
2. Parts are subject to changes in design without prior notice.
3. Parts supplied as complete assemblies are circled in a dotted line.
4. If the symbol "+" is found at the end of number in the figure, refer to the parts list, because specification differs.
5. If the symbol "\* Ga." is found in CODE column in list, refer to item the "Ga. Gauge parts list", because specification differs.

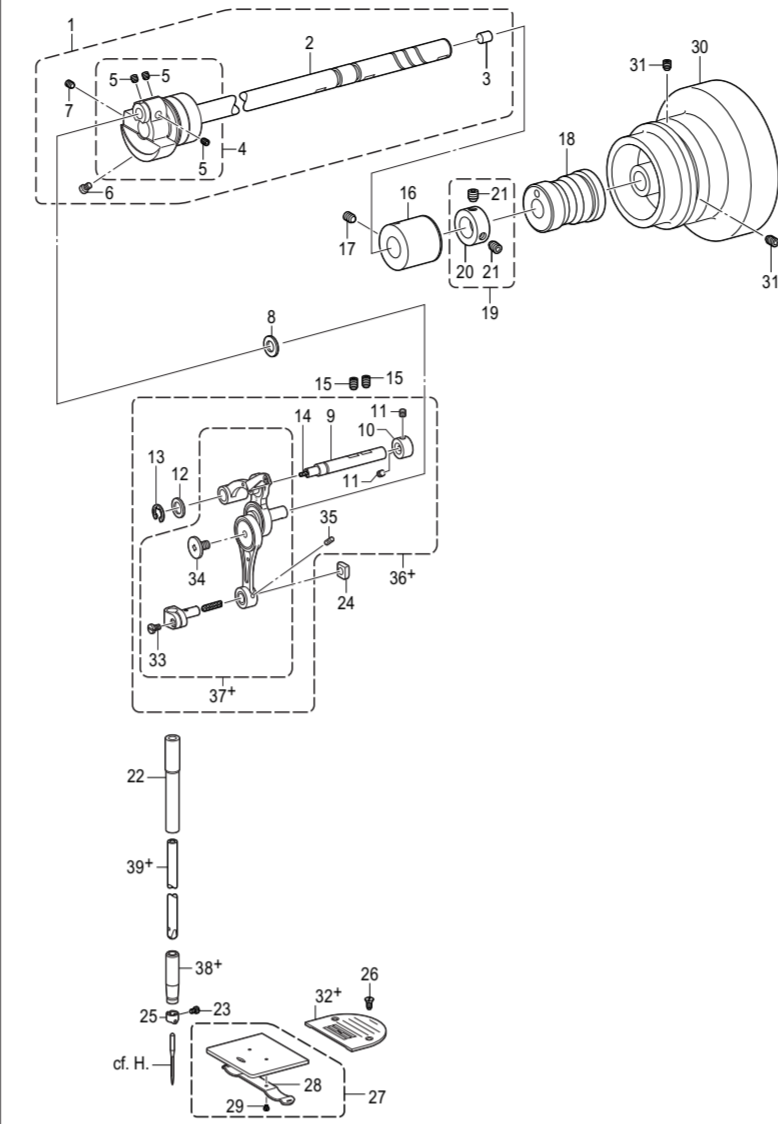
A. 給油潤滑関係 / Lubrication



SL-1110-350

Table with columns: REF.NO, CODE, QTY, 品名, NAME OF PARTS. Lists parts for the lubrication system including oil pan, pump, filter, and various screws and washers.

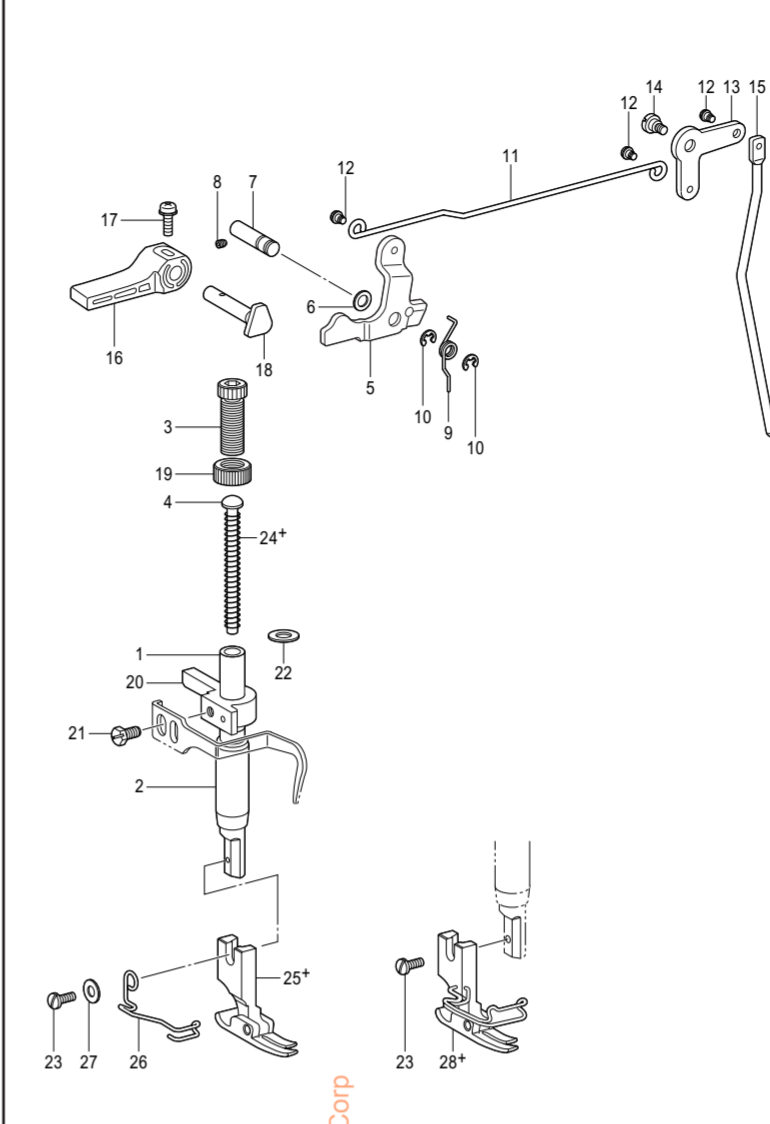
B. 針棒・天秤関係 / Needle bar and thread take-up mechanism



SL-1110-101

Table with columns: REF.NO, CODE, QTY, 品名, NAME OF PARTS. Lists parts for the needle bar and thread take-up mechanism including the upper shaft, needle bar, thread take-up lever, and various gears and springs.

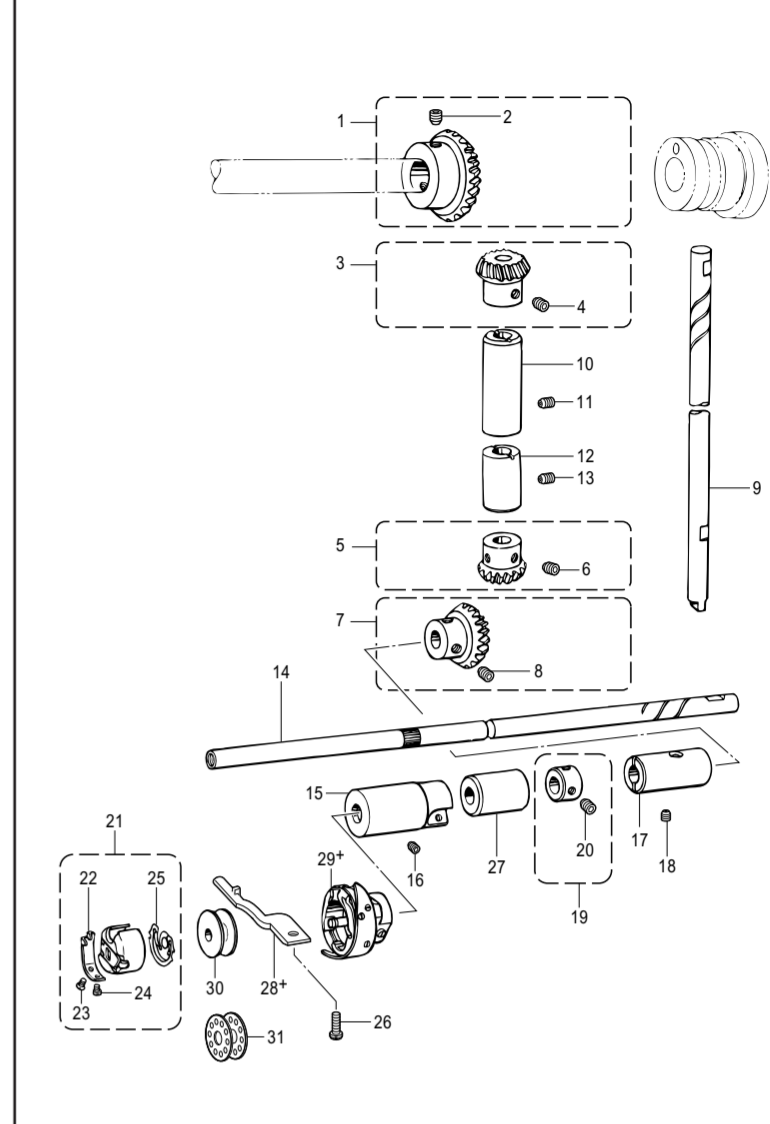
C. 押え関係 / Presser foot mechanism



SL-1110-201

Table with columns: REF.NO, CODE, QTY, 品名, NAME OF PARTS. Lists parts for the presser foot mechanism including the presser bar, presser foot, presser bar lifter, and various springs and guides.

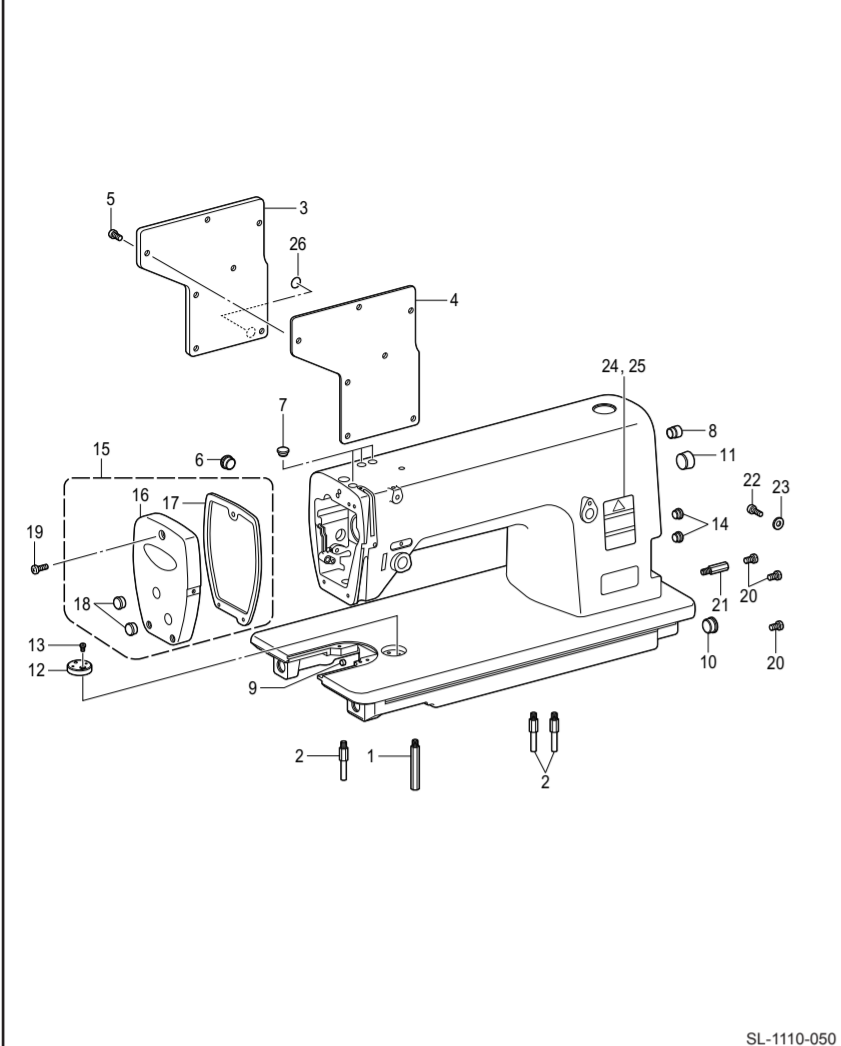
D. かま関係 / Rotary hook mechanism



SL-1110-301

Table with columns: REF.NO, CODE, QTY, 品名, NAME OF PARTS. Lists parts for the rotary hook mechanism including the upper shaft, rotary hook, and various gears and bearings.

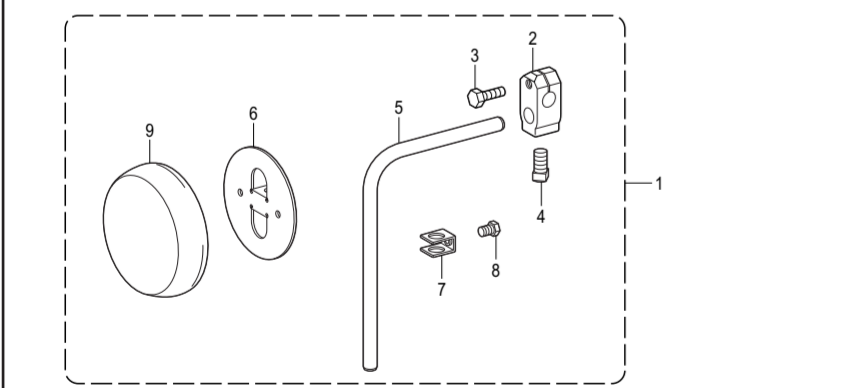
E. 主体関係 / Machine body



SL-1110-050

Table with columns: REF.NO, CODE, QTY, 品名 (Part Name), NAME OF PARTS. Lists parts for the machine body assembly.

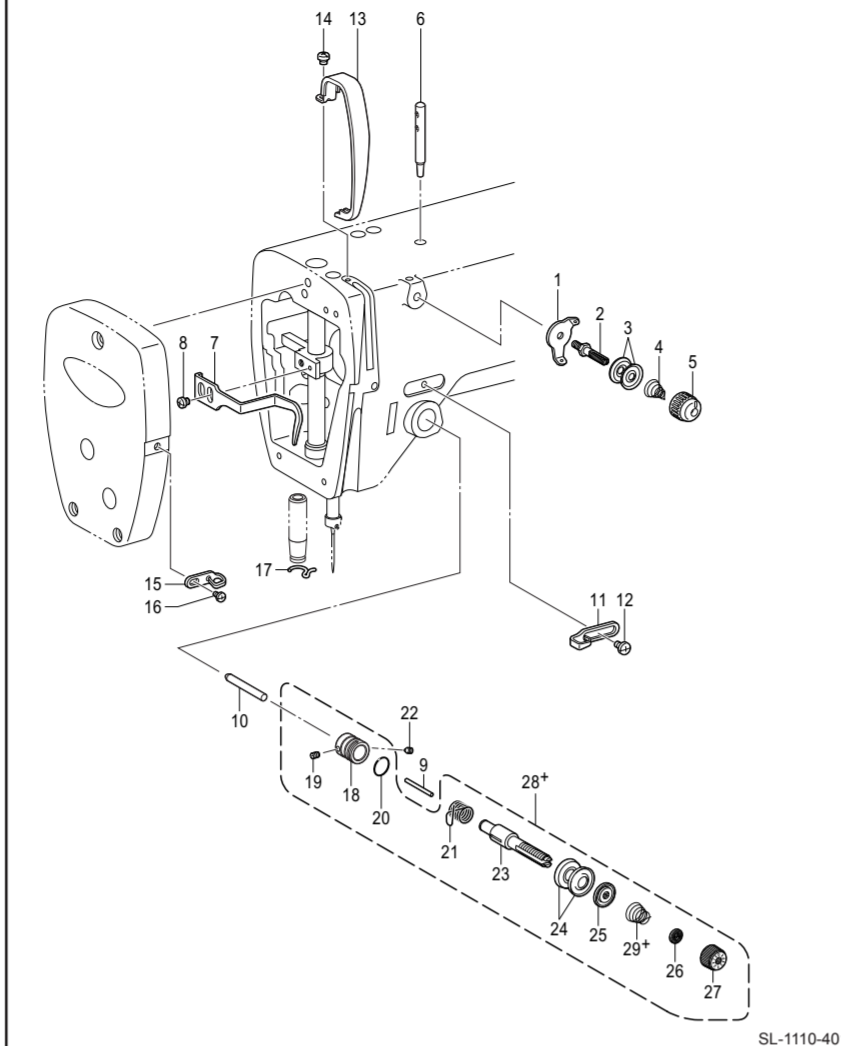
F. 膝上げ関係 / Knee lifter mechanism



SL-1110-203

Table with columns: REF.NO, CODE, QTY, 品名 (Part Name), NAME OF PARTS. Lists parts for the knee lifter mechanism.

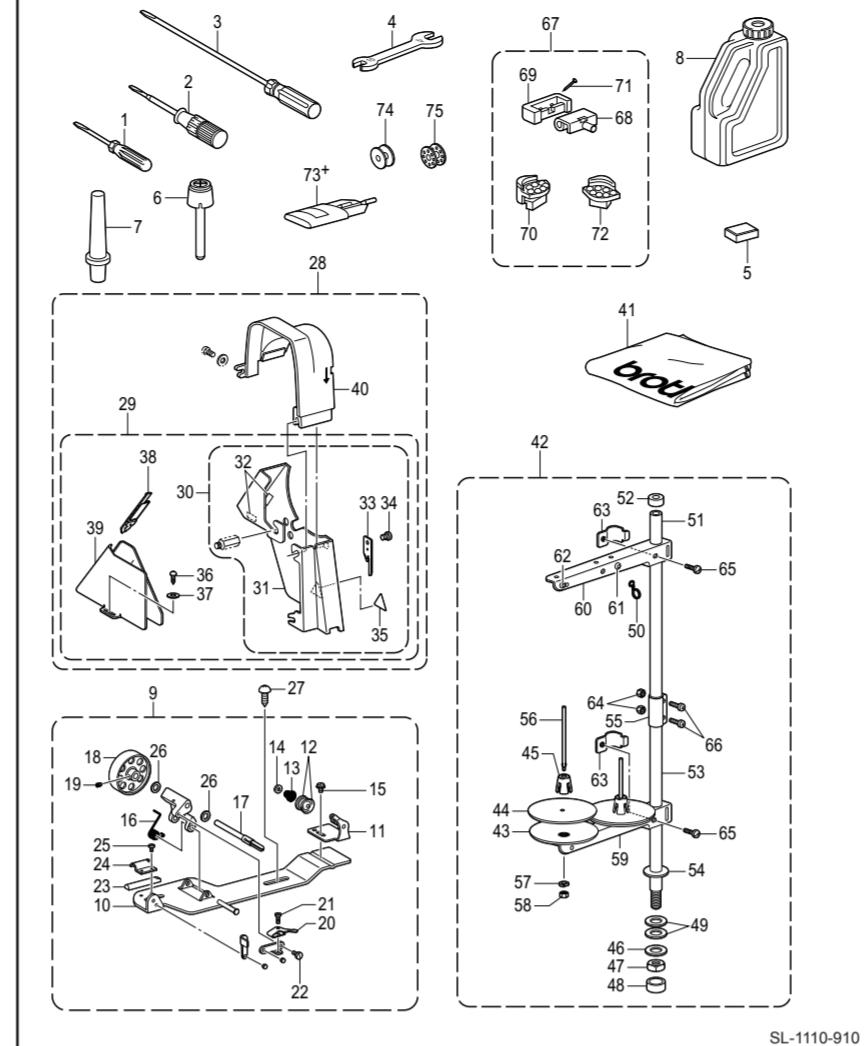
G. 糸通し関係 / Threading mechanism



SL-1110-401

Table with columns: REF.NO, CODE, QTY, 品名 (Part Name), NAME OF PARTS. Lists parts for the threading mechanism.

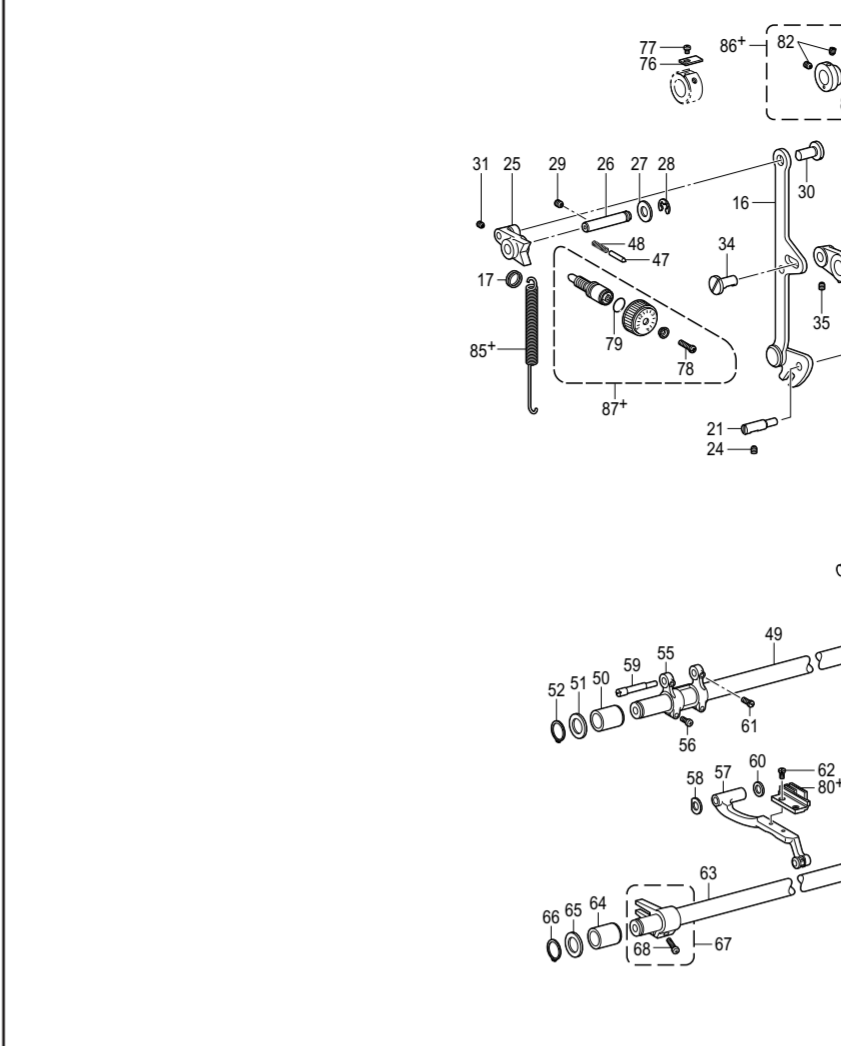
H. 付属品関係 / Accessories



SL-1110-910

Table with columns: REF.NO, CODE, QTY, 品名 (Part Name), NAME OF PARTS. Lists various accessories and tools.

J. 送り関係 / Feed mechanism



SL-1110-202

Table with columns: REF.NO, CODE, QTY, 品名 (Part Name), NAME OF PARTS. Lists parts for the feed mechanism.

Wa. 警告ラベル / WARNING LABELS

Table listing warning labels with columns: 警告ラベル / Warning labels, 品名 / Name of parts, Size (mm), Code. Includes labels for caution, injury, and grounding.

Ga. ゲージ部品一覧 / Gauge parts list

Table listing gauge parts with columns: 仕座 / Specification, 仕向 / Destination, 針板 / Needle plate, 送り歯 / Feed dog, 押針 / Presser foot assy. Includes information on regional variations.